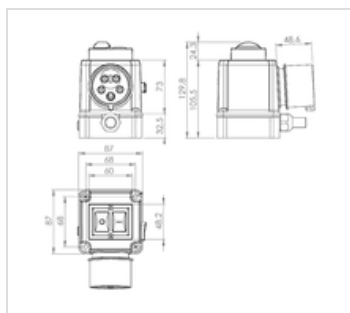
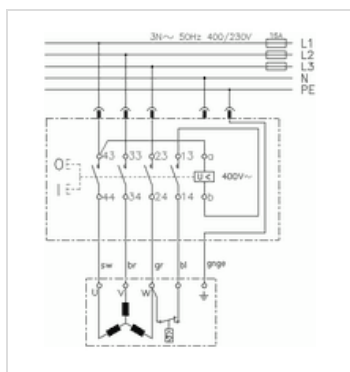




## Switch-plug combination K900/TAZ/ST3/KA3

Manufacturer:	Klinger & Born
Type:	K900/TAZ/ST3/KA3/P/Therm
Product no.:	0098.9001
Weight:	0.690 kg



AC switch-plug combination for circular saws, planing machines, shredders, wood splitters.

### ■ Properties

- 3-pole switching. Suitable for mains connection without neutral conductor
- Switching capacity up to 4 kW
- Undervoltage release with shock protection
- Phase inverter
- Connection possibility for thermal contact
- Splash water proof cover

### ■ Suitability

**The neutral conductor is not connected.**

**Not suitable for** Motors with electromechanical brake and a brake magnet voltage of 230V.

### ■ Installation / connection (refer to wiring diagram) / brake

The switch is screwed on the housing base. Grid dimension of the screws: 68 x 68 mm.

The cable outlet is on the side of the housing base, by factory setting on the opposite side of the keypad. by rotating the base, the cable can be routed to all 4 sides.

**The blue wire is not a neutral conductor**, it's the connection for the thermal contact. If the motor does not have a thermal contact, the blue wire has to be connected with the grey wire on the terminal board.

### ■ Specifications

Voltage Ue	400 V~
Current Ie	9,0 A
Contact	KB-04, 400V~
Coil voltage Uc	400V~
Switching capacity	4.0 kW 400V~/AC-3
Type of actuation	Mechanically on/off
Connector	CEE 3P+N+E, 16A
Housing material	Polypropylene PP
Mounting position	Any
Protection class	IP54, splash water proof
Connection cable	1 m H07RN-F G1,5
Mounting dimensions	68 x 68 mm
Klibo-Mod.Nr.	0098.9001

### ■ Feature shock protection

The contactors are mechanically activated and keep holding with a self-holding contact

Normal contactors can be actuated by hard touch-down, so that the machine will start-up by itself. This is prevented by the integrated shock protection.