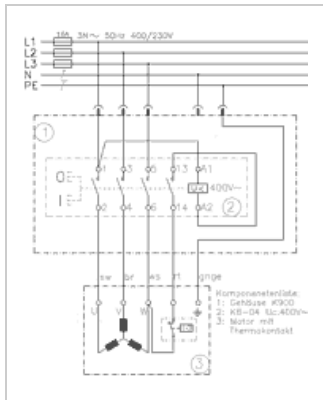




Switch-plug combination K900/TAZ/ST3 up to 4 kW, Surface mounted switch

Manufacturer:	Klinger & Born
Type:	K900/TAZ/ST3/MOT/Phw/P
Product no.:	0231.4528
Weight:	0.690



■ Details

Universal usable switch-plug combination for direct motor installation. Suitable e.g. For circular saws, jigsaws, wood splitters or general three-phase motors.

■ Properties

- 3-pole switching
- Switching capacity up to 4 kW
- Without motor protection
- With undervoltage release
- With phase inverter
- With splash water proof cover IP54
- Base open for direct installation on a motor terminal box

■ Replacement for

- Klinger&Born Mod.Nr. 0097.4520
- Klinger&Born Mod.Nr. 0097.4528
- Tripus Art.Nr. 204P997, Type KSVD

■ Installation

The housing is open on the bottom and has routed connection strands. The installation is made directly on the motor terminal box. Grid dimensions of the screws 68 x 68 mm.

■ Specifications

Voltage Ue	400 V~
Current Ie	9,0 A
Contactor	KB-04, 400V~
Coil voltage Uc	400 V~
Switching capacity	4.0 kW 400V~/AC-3
Type of actuation	Mechanically on/off
Connector	CEE 3P+N+E , 16A
Housing material	Polypropylene PP
Mounting position	Any
Protection class	IP54, splash water proof
Connection	Strands
Mounting dimensions	68 x 68 mm

