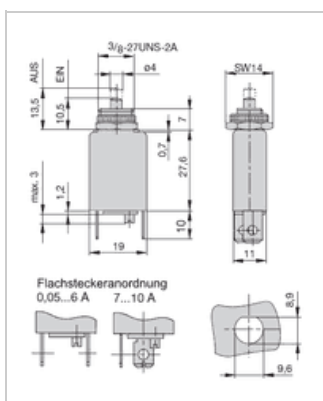




E-T-A circuit breaker 106-P10-8,0 A

| | |
|---------------|--------------|
| Manufacturer: | E-T-A |
| Type: | 106-P10-8,0A |
| Product no.: | 106-P10-8.0 |
| Weight: | 0.050 |



■ Details

1-pole thermal over current circuit breaker with threadneck.

■ Properties

- Reliable switching behaviour due to spring-loaded snap mechanism
- Uninfluenceable trip-free mechanism
- Is according to the circuit breaker norm EN 60934 (IEC 60934): R-Typ, TO.

■ Connection

The connection is made with a 6.3 mm flat plug. Please note the arrangement of the flat plug in the dimension sheet: up to 6 A they are mounted parallel, from 7-10 A they are offset 90° as shown in the picture.

■ Replacement for Weber Unimat T11-211 or Kedu RB2

Usable as a replacement for **Weber Unimat T11-211** (please note the dimensions)

■ Specifications

| | |
|----------------------------|---|
| Nominal current | 0.5 - 10.0 A |
| Nominal voltage | AC 240 V, DC 48 V |
| Protection class | Operating area IP40, connecting area IP00 |
| Isolation | Reinforced isolation in the actuation element |
| Ambient temperature | -20..60 °C |
| Switch-off | Thermal (träge) |
| Approval | VDE, SEV, Kema (EN 60934), CSA, UL |
| Installation | With threadneck, bore-Ø 9.6 mm |
| Connection | Flat plug 6.3 mm |