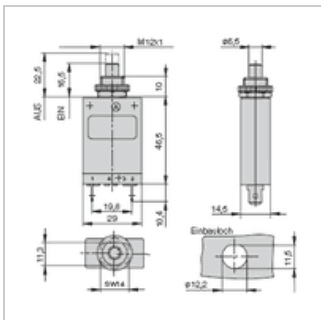




E-T-A circuit breaker 2-5700-iG2-P10

Manufacturer:	E-T-A
Type:	2-5700-P10
Product no.:	2-5700-P10
Weight:	0.050



■ Details

This switch can not be triggered by hand. It only triggers with overcurrent.

1-pole thermal over current circuit breaker **Without manual tripping**

Reliable switching behaviour due to snap-action switch mechanism and uninfluenceable trip-free mechanism.

is according to the circuit breaker norm EN 60934 (IEC 60934): R-Typ, TO.

■ Replacement for Weber Unimat T12-211

Usable as a replacement for Weber Unimat T12-211, evtl. T13-211 (please note the dimensions)

■ Specifications

Nominal current	Refer to selection
Nominal voltage	AC 240 V, DC 28 V
Protection class	Operating area IP40, connecting area IP00
Isolation	Reinforced isolation in the actuation element
Ambient temperature	-20..60 °C
Switch-off	Thermal, 1-pole (träge)
Approval	VDE (EN 60934), CCC, SEV, CSA/UL, BV
Installation	With threadneck
Connection	P10: flat plug 6.3 mm K10: Klemmen M4x6

■ Typical areas of application

Electric motors, chargers, transformers, household and office appliances, power tools, vehicle wiring systems.