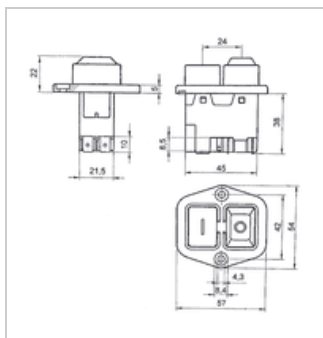
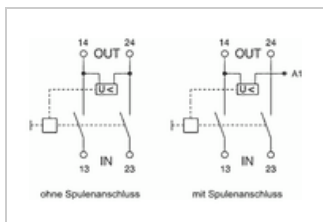




Insert switch Tripus TP3251, 306P400 (replacement for Kedu KJD17B)

Manufacturer:	Tripus
Type:	306P400.03
Product no.:	306P400
Weight:	0.100



■ Details

2-pole insert switch for machines and stationary power tools. Manufactured in Europe.

■ Properties

- 2-pole on-off switch
- Undervoltage release
- Optionally with or without coil connection
- Keypad cover / splash water proof cover
- Flat seal towards installation opening
- Usable as a replacement for Kedu KJD17B-B (KJD17 with crosswise fixing)

■ Function

The switch has an undervoltage release. If there is a voltage at the input contacts 13 and 23, the solenoid gets powered and the switch is active.

The Rocker switch stays in the ON-position as long as there is a voltage or the switch is turned off. **It is not a push button.**

Due to the undervoltage release the switch turns off at voltage drop (power failure) and has to be switched back on manually. Therefore it won't switch on spontaneously and uncontrollably.

■ Available with or without solenoid (undervoltage release)

With the help of the coil connection (connection A1) the solenoid can be triggered with for example an external emergency stop-switch or thermal contacts.

■ Specifications

Switching function	On/off
Type of actuation	Buttons 0-I
Contacts	2 N/O contacts
Rated voltage U_c	230V / 50Hz
Switching capacity	AC-1 U _e :230V 16.0A AC-3 U _e :230V 14,5A
Protection class	Operating area IP54 with protective cap Operating area IP40 without protective cap Connecting area IP00
Connections	Faston terminals 6.3 x 0,8 mm (connections 13-14-, 23-24) Flat plug connection 2,8 x 0,8 mm (coil connection A1)
Housing material	Plastic PA
Dimensions (LxBxT)	ca. 57 x 54 x 60 mm
Installation	2 screw holes Ø 4,2, spacing 42 mm
Installation opening	Ca. 46,5 x 22,2 mm
Mounting position	



	Any
Mark of conformity	VDE 0660 part 102, DIN EN 60947, UL
