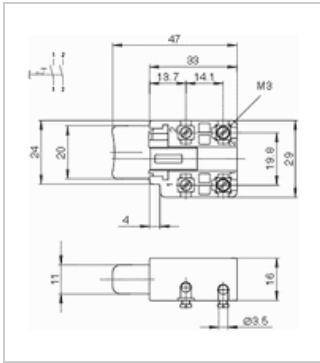




Push-button switch, N/O contacts, 2-pole - Marquardt 1281.0201

Manufacturer: Marquardt
Type: 1281.0201
Product no.: 468
Weight: 0.020



■ Details

2-pole N/O contacts without locking mechanism, dust-protected

■ Specifications

| | |
|---------------------------|-----------------|
| Switching function | On-off |
| Connection | Screw terminal |
| Switching capacity | 8(8)A 250V~ +++ |