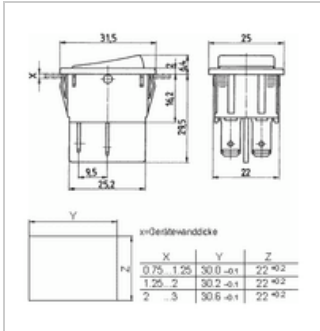




## Rocker switch, push button/N/O contacts, 2-pole

Manufacturer:	Everel
Type:	SX8211781E16000
Product no.:	505
Weight:	0.030



### ■ Details

This rocker switch is a push button. It remains switched on only as long as it is actuated. After releasing, it switches off again..

### ■ Properties

- 2-pole push button, closing
- One-sided push button
- Illuminated
- With labelling I-0

### ■ Replacement for rocker switch Kedu HY12 (Push button)

Application e.g. Lawn mower switch.

The switch is 0.5 mm longer than the HY12, but has always been used as a replacement.

### ■ Specifications

Switching function	Push-button on-off
Connection	Flat plug 6.3 mm
Switching capacity	16(8)A 250V~
Temperature	T 100
Glow lamp	400 V
Installation	Snap-on frame