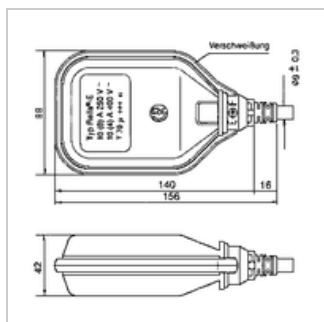
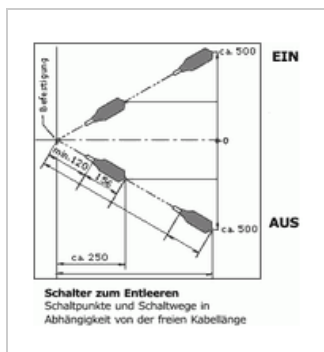




Float switch draining EHZ-FS-E, Cable 15 m

Manufacturer: EHZ GmbH
Type: EHZ-FS-E-15
Product no.: EHZ-E-15
Weight: 1.600



■ Details

Float switch for draining (dry-run protection), **Cable length 0.5 m - 20 m**

Switches for pumps or domestic water supplies. Suitable as a repair switch for submersible pumps or as dry-running protection for the external switching of domestic waterworks, etc.

■ Function

The switch switches the pump off when a **the water level is below a certain point**. The switch is actuated by a ball. The shift inclination is approx. 30 °.

Dry running protection, switches off when the float is suspended.

■ Specifications

Switching capacity	10(8)A 250V~, 10(4)A 400V~
Switching frequency:	50.000 switching cycles, VDE geprüft
protection class	protective conductor connection nach VDE 0630
Protection class	IP68, waterproof
Operating temperature	Max. 60°C
operating pressure	Max. 0,1 bar
Housing	Polypropylene-Copolymerisate
Cable	H07RN8-F 3G1 mm ² , max 90°C
Cable length	0.5 - 25 m
Switching points	On = top (floating) Off = bottom (suspended)

■ Installation

The float switch is attached to the cable with a clamp. The switching path depends on the free cable length (min. 120 mm).

The free cable length must not be too short, as the cable is not sufficiently flexible. This is especially true for cold temperatures. If the length of the cable is too long, the float can float on the surface of the water without coming into the tilted position.

■ variants / cable length