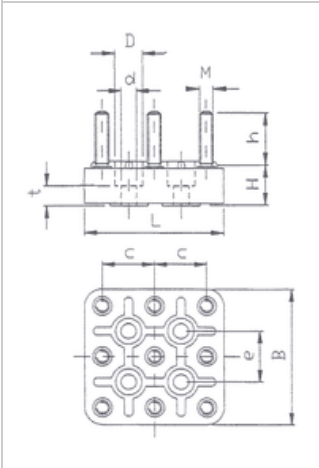




Motor terminal board KL 60/1, 9-pole, M8

Manufacturer: Geiss
Type: 96S
Product no.: KL60/1
Weight: 0.180



■ Details

9-poles motor terminal board with 4 fixing holes

scope of supply with nuts, washers, optionally with or without bridges (6 items)

■ Dimensions in mm (refer to dimension sheet)

| L | B | M | H | H | A | E | DØ | DØ | T |
|----|----|----|----|----|----|----|----|-----|---|
| 80 | 80 | M8 | 16 | 24 | 60 | 30 | 12 | 7.5 | 9 |

■ Specifications

| | |
|-------------------------------------|----------------------|
| bolt-Ø | M8 |
| basic body | 80 x 80 mm |
| Hole spacing | 30 mm |
| permitted continuous current | 100 A |
| Nuts-tightening torque | 6 Nm |
| terminal designation | W2-U2-V2 U1-V1-W1 |