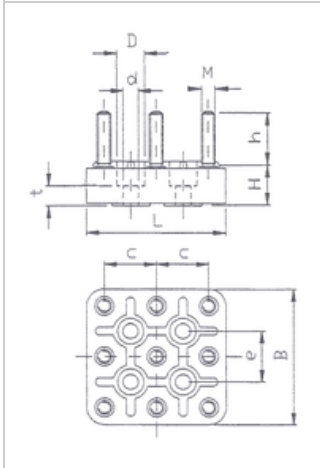




## Motor terminal board KL 60/3, 9-pole, M6

Manufacturer: Geiss  
Type: 96S1  
Product no.: KL60/3  
Weight: 0.180



### ■ Details

9-poles motor terminal board with 4 fixing holes

**scope of supply** with nuts, washers, optionally with or without bridges (6 items)

### ■ Dimensions in mm (refer to dimension sheet)

L	B	M	H	H	A	E	DØ	DØ	T
80	80	M6	16	22	60	30	12	7.5	9

### ■ Specifications

<b>bolt-Ø</b>	M6
<b>basic body</b>	80 x 80 mm
<b>Hole spacing</b>	30 mm
<b>permitted continuous current</b>	63 A
<b>Nuts-tightening torque</b>	3 Nm
<b>terminal designation</b>	W2-U2-V2 U1-V1-W1