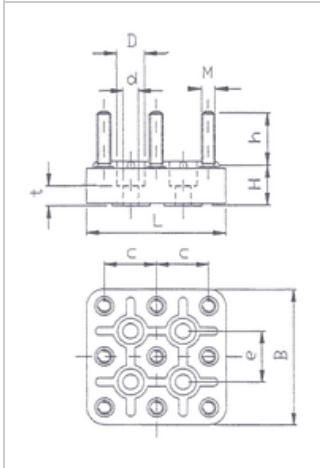




Motor terminal board KL 63, 9-pole, M5

Manufacturer: Geiss
Type: 92S
Product no.: KL63
Weight: 0.180



■ Details

9-poles motor terminal board M5 with 4 mounting holes with non-adjustable spacing 20 mm.

■ Scope of supply

scope of supply with nuts and connection washers DIN 46288, optionally without or with 6 connection bridges.

■ Dimensions in mm (refer to dimension sheet)

| L | B | M | H | H | A | E | DØ | DØ | T |
|----|----|----|----|----|----|----|------|----|---|
| 56 | 56 | M5 | 12 | 16 | 40 | 20 | 10.5 | 6 | 9 |

■ Specifications

| | |
|-------------------------------------|----------------------|
| bolt-Ø | M5 |
| basic body | 56 x 56 mm |
| Hole spacing | 20 mm |
| permitted continuous current | 25 A |
| Nuts-tightening torque | 2 Nm |
| terminal designation | W2-U2-V2 U1-V1-W1 |