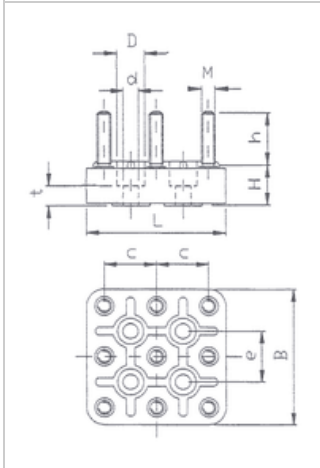




## Motor terminal board KL 65, 9-pole, M6

Manufacturer:	Geiss
Type:	93S
Product no.:	KL65
Weight:	0.180



### ■ Details

9-poles terminal board M6 with installationborespacing 25 mm.

### ■ Scope of supply

scope of supply pre-assembled with nuts and washers, optionally without or with 6 connection bridges.

### ■ Dimensions in mm (refer to dimension sheet)

L	B	M	H	H	A	E	DØ	DØ	T
70	70	M6	16	17	50	25	11	7	7.5

### ■ Specifications

<b>bolt-Ø</b>	M6
<b>basic body</b>	70 x 70 mm
<b>Hole spacing</b>	25 mm
<b>permitted continuous current</b>	63 A
<b>Nuts-tightening torque</b>	3 Nm
<b>terminal designation</b>	W2-U2-V2 U1-V1-W1