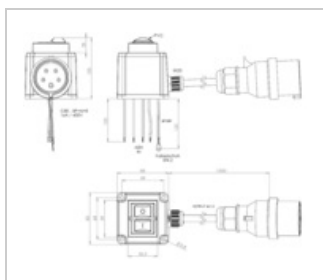
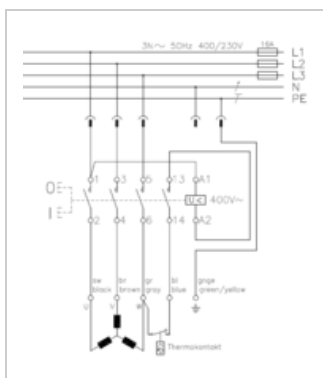




## Motor switch K900/TAZ/NKA9/Mot up to 4 kW

Manufacturer:	Klinger & Born
Type:	K900/TAZ/NKA9/Mot
Product no.:	MS901
Weight:	0.690



### ■ Details

Motor starter for direct installation on a motor terminal box. The switch has a on the main side, ready-to-connects cable with CEE 16 A-plug

### ■ Properties

- 3-pole switching
- Switching capacity up to 4 kW
- With connection cable H07RN-F 4X1.0, pre-assembled with CEE-plug
- For direct installation on the motor terminal box
- With undervoltage release
- Connection possibility for thermal contact
- Including splash water proof cover

### ■ Suitability

**The neutral conductor is not connected.**

**Not suitable for** motors, which for example need a voltage of 230V in the terminal box for a electromechanical brake.

### ■ Installation / connection (refer to wiring diagram)

If needed the switch can fitted to the motor. The switch is shipped with a loose socket without bore holes. The through bore for the connection strands must be drilled by the customer.

**The blue wire is not a neutral conductor**, it's the connection for the thermal contact. If the motor does not have a thermal contact, the blue wire has to be connected with the grey wire on the terminal board.

### ■ Specifications

<b>Voltage Ue</b>	400 V~
<b>Current Ie</b>	9,0 A
<b>Contactors</b>	Klibo JD4, Uc=400V~
<b>Switching capacity</b>	4.0 kW 400V~/AC-3
<b>Type of actuation</b>	Mechanically on/off
<b>Mounting position</b>	Any
<b>Protection class</b>	IP54, splash water proof
<b>Connection cable</b>	1,5 m H07RN-F 4X1.0, with CEE-plug 3P+N+E 400V 16A
<b>Motor connection strands</b>	Length 100 mm
<b>Mounting dimensions</b>	68 x 68 mm

