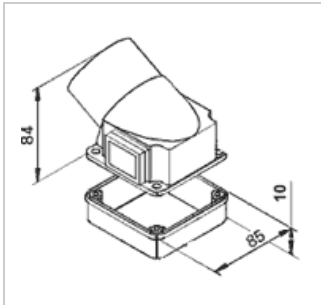




## Switch-plug combination up to 3 kW, cement mixer switch

Manufacturer:	Tripus
Type:	203P705
Product no.:	SSK340
Weight:	0.200



### ■ Details

AC switch-plug combination for concrete mixer and other machines for installation on a motor terminal box. the connection of the switch is made with the open base.

### ■ Properties

- 2-pole switch
- Without undervoltage release
- With securing bracket to stop the Safety plug from falling off (Type F, CEE 7/4 plug, CEE 7/7 plug)-coupler
- Base open

### ■ Specifications

<b>Voltage Ue</b>	250 V~
<b>Nominal current</b>	16(8)A 250V~
<b>Protection class</b>	IP44
<b>Connector</b>	Safety plug (Type F, CEE 7/4 plug, CEE 7/7 plug)
<b>Switch</b>	2-pole
<b>Type of actuation</b>	Mechanically on/off
<b>Mounting position</b>	Any
<b>Mounting dimensions</b>	68 x 68 mm, with Adapter 50 x 50 mm

### ■ Fitting capacitors, if required

Fitting capacitors can be found at the catalog "replacement parts" at [Operating capacitor](#).

The right capacitor capacity can be found as specification in microfarad ( $\mu\text{F}$ ) on the capacitor or the type plate of the motor.