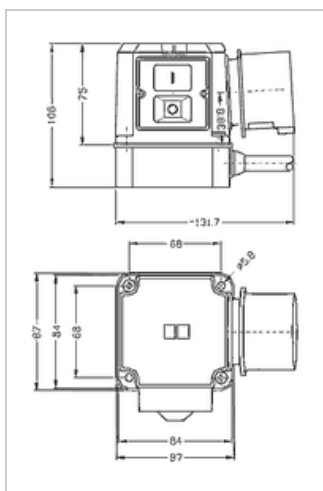
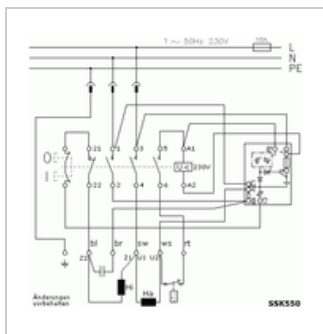




Switch-plug combination K700/B/ST3 up to 3 kW with electronic brake

Manufacturer:	Klinger & Born
Type:	K700/VB/ST3/KA12/P
Product no.:	SSK550
Weight:	0.800



■ Details

AC switch-plug combination for circular saws, planing machines, shredders and other machines, which after power failure and power recovery are not allowed to turn back on.

Required for machines for commercial operation, which do not have an engine brake, but are required to have one.

■ Properties

- 2-pole switch (Contactor)
- Switching capacity up to 3 kW
- With braking electronics, braking current up to 10 A adjustable
- With undervoltage release
- Connection possibility for thermal contact
- Including splash water proof cover

■ Installation / connection (refer to wiring diagram) / brake

The switch is screwed on the housing base. Grid dimension of the screws: 68 x 68 mm.

The cable outlet is on the side of the housing base, by factory setting on the opposite side of the plug. by rotating the base, the cable can be routed to all 4 sides.

The brake is by factory setting set to the lowest current. The braking current can be adjusted with a potentiometer.

■ Specifications

Voltage Ue	230 V~
Current Ie	13,5 A
Contactor	KB-04, 230 V/3s1ö~
Switching capacity	3.0 kW 230V~
Braking current	Up to 10 A
Type of actuation	Mechanically on/off
Connector	Safety plug (Type F, CEE 7/4 plug, CEE 7/7 plug), 16 A
Housing material	Polypropylene PP
Mounting position	Any
Protection class	IP54, splash water proof
Connection cable	1 m H07RN-F 6 G1,5
Mounting dimensions	68 x 68 mm