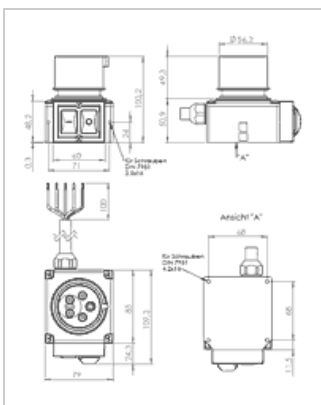
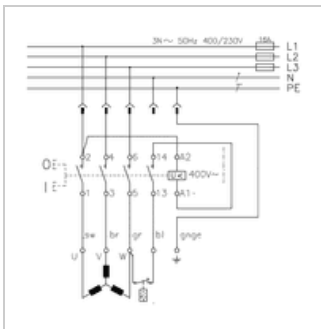




## Switch-plug combination K590/STZ up to 4 kW

Manufacturer:	Klinger & Born
Type:	K590/STZ/KA12/Phw/Therm
Product no.:	SSK590
Weight:	0.690



### ■ Details

Ready-to-connect AC switch-plug combination for wood splitters, circular saws, shredders and other stationary power tools.

**The scope of supplies now includes a splash water proof cover.**

### ■ Properties

- 3-pole switch (Contactor)
- Switching capacity up to 4 kW
- With undervoltage release
- With phase inverter im connector
- With splash water proof cover
- Connection possibility for thermal contact
- With 1 meter connection cable H07RN-F 5G1,5

### ■ Replacement switch for switches made in China

This switch can be used as a replacement for the following switches.

Beware of the wiring diagram, because the types are switch series, which have many variations:

- KOA7 (three-phase AC current) from Kedu
- HCK3T/400V from Changzhou Leader Electrical Manufacturing
- DKLD DZ08-3 from Yue Qing Dongke Electron

### ■ Installation / connection (refer to wiring diagram)

The switch is screwed on the backside of the housing base. Grid dimensions of the screws are 68mm x 68mm with holes for screws DIN 7981 4,2x16. The cable outlet is on the opposite side of the keypad.

The blue wire is the connection for the thermal contact. If the motor does not have a thermal contact, the blue wire has to be connected with the grey wire on the terminal board.

### ■ Specifications

<b>Voltage Ue</b>	400 V~
<b>Current Ie</b>	9,0 A
<b>Contactor</b>	KB-04, 400 V/4s~
<b>Switching capacity</b>	4.0 kW 400V~/AC-3
<b>Type of actuation</b>	Mechanically on/off
<b>Connector</b>	CEE 3P+N+E 400V 16A with phase inverter
<b>Housing material</b>	Polypropylene PP
<b>Mounting position</b>	Any
<b>Protection class</b>	IP54, splash water proof
<b>Connection cable</b>	1 m H07RN-F 5G1,5
<b>Mounting dimensions</b>	68 x 68 mm, holes for screws DIN 7981 4,2x16

