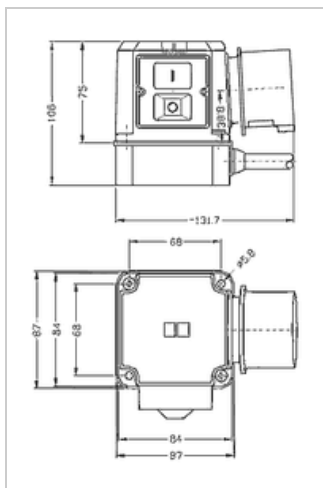
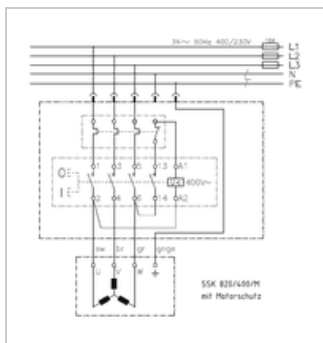




Switch-plug combination K900/ST3/KA12 with motor protection

Manufacturer: Klinger & Born
Type: K900/ST3/KA12/Mx/Phw/P
Product no.: SSK820-M
Weight: 0.800



■ Details

AC switch-plug combination for circular saws, planing machines, shredders or other machines and motors, which after power failure and power recovery are not allowed to turn back on.

■ Properties

- 3-pole switching, suitable for mains connection without neutral conductor
- Switching capacity up to 4 kW
- Motor protection depending on the construction 5, 7, or 9 A, **Non-adjustable**
- Undervoltage release
- Phase inverter
- Splash water proof cover

■ Suitability

The neutral conductor is not connected.

Not suitable for motors in delta connection, which for example need a voltage of 230V in the terminal box for a electromechanical brake.

If needed a brake can be tapped between a phase and a star point 230V for motors in star connection.

■ Motor protection

The motor protection has to be selected according to the nominal current of the motor (+ ca. 10%). A connection for a thermal contact is not provided, because the motor is better protected with the overcurrent protection.

■ Installation / connection (refer to wiring diagram)

The switch is screwed on the housing base. Grid dimension of the screws: 68 x 68 mm.

The cable outlet is on the side of the housing base, by factory setting on the opposite side of the keypad. by rotating the base, the cable can be routed to all 4 sides.

■ Specifications

| | |
|--------------------|--------------------------------|
| Voltage Ue | 400 V~ |
| Current Ie | 9,0 A |
| Contactur | KB-04, 400V~ |
| Coil voltage Uc | 400V~ |
| Switching capacity | 4.0 kW 400V~/AC-3 |
| Motor protection | Thermal overcurrent protection |
| Type of actuation | Mechanically on/off |
| Connector | CEE 3P+N+E , 16A |
| Housing material | Polypropylene PP |
| Mounting position | Any |
| Protection class | IP54, splash water proof |

| | |
|----------------------------|------------------|
| Connection cable | 1 m H07RN-F G1,5 |
| Mounting dimensions | 68 x 68 mm |