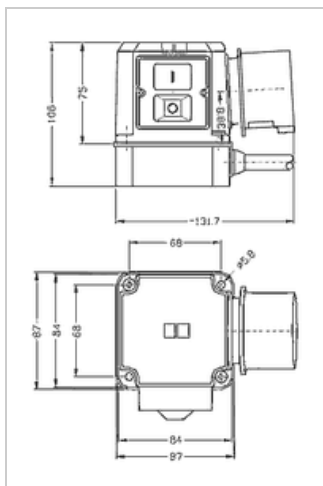
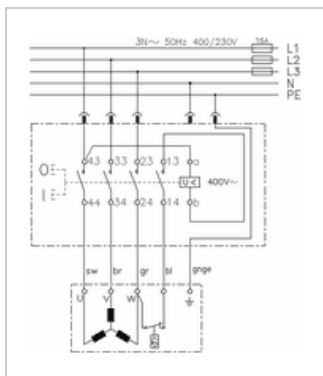




Circular saw switch K900/ST9/KA12 for Elektra Beckum

Manufacturer: Klinger & Born
Type: K900/ST9/KA12/Phw/P
Product no.: SSK820-ST9
Weight: 0.750



■ Details

AC switch-plug combination for circular saws, planing machines, shredders or other machines and motors, which after power failure and power recovery are not allowed to turn back on.

■ Properties

- 3-pole switching, suitable for mains connection without neutral conductor
- Switching capacity up to 4 kW
- Undervoltage release
- Phase inverter
- Connection possibility for thermal contact
- Splash water proof cover

This switch in inverted construction (ST3) with Coil voltage 400V: [SSK820-400](#).

■ Suitability

The neutral conductor is not connected.

Not suitable for motors in delta connection, which for example need a voltage of 230V in the terminal box for a electromechanical brake.

If needed a brake can be tapped between a phase and a star point 230V for motors in star connection.

■ Installation / connection (refer to wiring diagram)

The switch is screwed on the housing base. Grid dimension of the screws: 68 x 68 mm.

The cable outlet is on the side of the housing base, by factory setting on the opposite side of the keypad. by rotating the base, the cable can be routed to all 4 sides.

The blue wire is not a neutral conductor, it's the connection for the thermal contact. If the motor does not have a thermal contact, the blue wire has to be connected with the grey wire on the terminal board.

■ Specifications

Voltage U_e	400 V~
Current I_e	9,0 A
Contactor	KB-04, 400V~
Coil voltage U_c	400V~
Switching capacity	4.0 kW 400V~/AC-3
Type of actuation	Mechanically on/off
Connector	CEE 3P+N+E , 16A
Housing material	Polypropylene PP
Mounting position	Any
Protection class	IP54, splash water proof
Connection cable	1 m H07RN-F G1,5
Mounting dimensions	68 x 68 mm

Klibo-Mod.Nr.

0231.0900