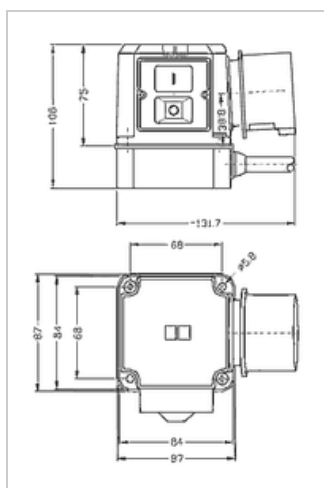
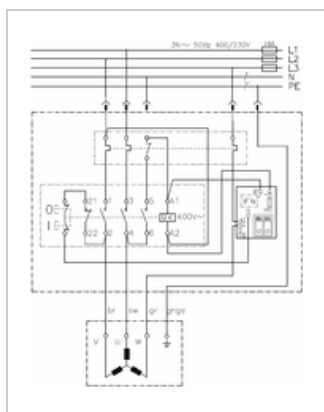




Switch-plug combination K900/VB/ST9 with brake, Motor protection

Manufacturer: Klinger & Born
Type: K900/VB/ST9/KA9/Mx/Phw/P
Product no.: SSK850-ST9-M
Weight: 0.800



■ Details

AC switch-plug combination for three-phase A.C. Current. For circular saws and similar stationary power tools, e.g. Elektra Beckum PK250 (note the cable length).

The undervoltage release prevents, that the machine will restart on its own after power failure. the braking electronics brakes the saw blade so it comes to a halt in 10 seconds.

■ Properties

- 3-pole switching
- Switching capacity up to 4 kW
- Braking electronics, braking current up to 16 A adjustable
- Motor protection depending on the construction 5 or 7 A **Non-adjustable**
- Undervoltage release
- Phase inverter
- Splash water proof cover

■ Suitability

The neutral conductor is not connected.

Not suitable for motors in delta connection, which for example need a voltage of 230V in the terminal box for a electromechanical brake.

If needed a brake can be tapped between a phase and a star point 230V for motors in star connection.

■ Motor protection

The motor protection has to be selected according to the nominal current of the motor (+ ca. 10%). A connection for a thermal contact is not provided, because the motor is better protected with the overcurrent protection.

■ Installation / connection (refer to wiring diagram) / brake

The switch is screwed on the housing base. Grid dimension of the screws: 68 x 68 mm.

The cable outlet is on the side of the housing base, by factory setting on the opposite side of the keypad. by rotating the base, the cable can be routed to all 4 sides.

The brake is by factory setting set to the lowest current. The braking current can be adjusted with a potentiometer.

■ Specifications

Voltage Ue	400 V~
Current Ie	9,0 A
Contactor	KB-04, 400V~
Coil voltage Uc	400V~
Switching capacity	4.0 kW 400V~/AC-3
Braking current	Up to 16 A adjustable
Motor protection	Thermal overcurrent protection
Type of actuation	Mechanically on/off

Connector	CEE 3P+N+E , 16A
Housing material	Polypropylene PP
Mounting position	Any
Protection class	IP54, splash water proof
Connection cable	1 m H07RN-F G1,5
Mounting dimensions	68 x 68 mm